

CustomSound™ CS AIC 860 Angled In-Ceiling Speaker



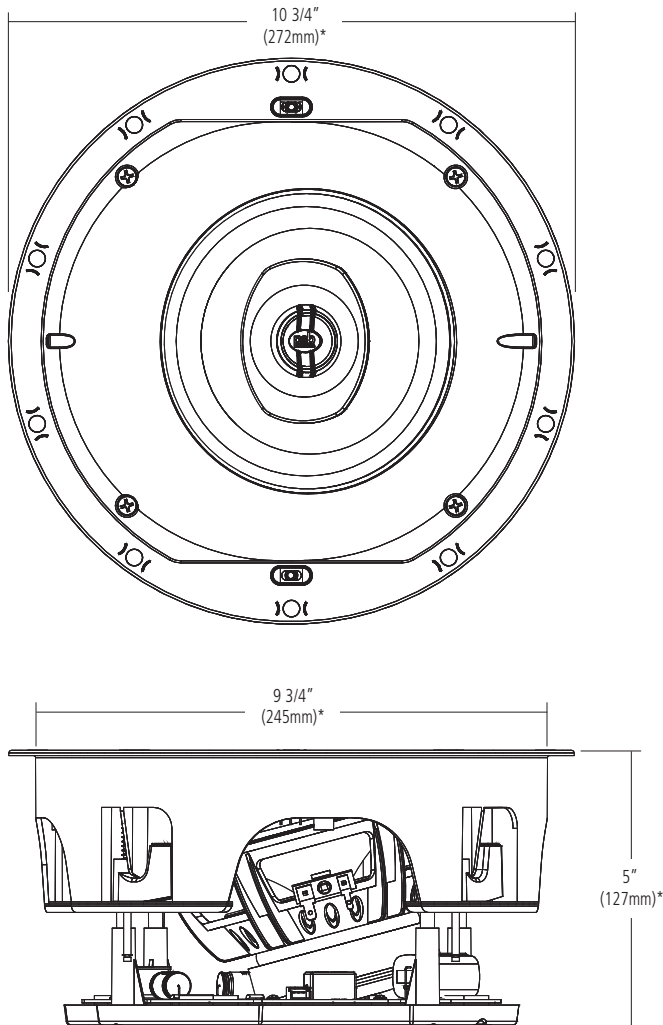
The CS AIC 860 is an angled in-ceiling speaker that is designed to allow proper dispersion required to create a nice three-dimensional sound stage when recessed into the ceiling. The design minimizes the amount of refraction common to many angled speakers which can often give away the position of the speaker. The listener hears a wide and constant sound field which seems to emanate from the chosen listening area rather than from the installation point.

The premium woofer of the AIC 860 pays huge dividends in bass output and extension. This woofer includes a few of the tricks PSB has developed for its top-of-the-line Imagine T3 speaker to get higher sensitivity and lower harmonic distortion at high playback levels. It retains all of the other features and advantages of its more affordable little brother, with an upgraded 1" titanium tweeter with Wave Guide and indexed adjustment for precise adjustment of the tweeters acoustic axis. Also featured are acoustic adjustments for the mid/woofer and tweeter level.

The CS AIC 860 features frameless magnetic grilles with invisible scrims. Both round and square grilles are provided, simplifying and reducing your inventory requirements. Installation is easy and predictable with the improved, simple, fool-proof mounting system using heavy duty doglegs. Cutting templates are included. Pre-construction brackets and backcans are also available.

- 6 1/2" Premium 2-Way Angled In-Ceiling Speaker
- Proprietary Imagine carbon-filled polypropylene cone, rubber surround
- Proprietary 1" Titanium Dome Tweeter
- Pivoting Tweeter with Wave Guide and 15° Angled Woofer
- Perfect for high performance home theater applications
- Frameless round and square grilles
- Individual adjustment level switches for Tweeter and Woofer
- Design and final voicing engineered by Paul Barton
- High strength doglegs for easy installation and removal
- Pre-construction brackets and backcan available
- Gross Dimensions:
 - Round Grille – 10 3/4"
 - Square Grille – 10 3/4" x 10 3/4"
 - Cutout Dimensions: 9 3/4"
 - Mounting Depth: 5"

CustomSound CS AIC 860 Angled In-Ceiling Speaker



FREQUENCY RANGE

Response: On Axis @ 0°±3dB 48-20kHz

Sound Pressure Level

Maximum @ 100Hz TBD

Sensitivity

Anechoic Chamber 86dB
Listening Room 88dB

Impedance

Nominal 6 Ohms
Minimum 4 Ohms

Input Power

Recommended 10-100 Watts

Acoustic Design

Tweeter (Nominal) 1" (25mm) Titanium Dome with Ferrofluid
Woofer (Nominal) 6 1/2" (165mm) Fiber filled, Injection Molded Basket Black Polypropylene Cone Rubber Surround

Design Type Open Back

EQ Adjustment Tweeter & Woofer Switch

FINISH//CONSTRUCTION

Finish Frame ABS
Back Box Optional Integrated Acoustic Backbox

Grille Material Steel; Perforated with white scrim
Type Frameless

Connectors Gold-plated, Spring Loaded, 12AWG

SIZE (W x H x D)

Grille Dimensions (Frameless Design) 10 3/4" (272mm)

Rough-in/Mounting Hole 9 3/4" (245mm)

Mounting Depth with Backcan 5 1/4" (133mm)

Weight 5.15 lb (2.3 kg)

Shipping Information

Net W 28 1/8" (720 mm)

Net H 14 3/16" (368 mm)

Net D 15 1/4" (397 mm)

Weight 38 lb (17 kg)

REAL SOUND for REAL PEOPLE

www.PSBspeakers.com